

POWER YOUR FUTURE

Cummins Generator

LG68C

6BT5.9-G1

Prime Power: 68KW/85KVA

Standby Power: 75KW/94KVA



GENERATING POWER SOLUTIONS

Increased availability for new operations

Reliable, robust and versatile generator.
Ready to deliver power for a next job.

Increased uptime during operations

Once installed on the end-user-site, the generator will be ready to run: "peace of mind" operation.

Reduced transport and installation costs

The compact and robust design with integrated transport features enables faster and safer transport and installation.

Reduced service & maintenance costs

Longer service intervals.
Quicker and more efficient service jobs.

Premium resale value

Designed and built to last.

SAFETY

- Operate safely in accordance with proper operation manual.
- To prevent trouble and accidents, perform daily and preventive maintenance checks without fail.

Cummins Series 60HZ

25KVA--1400KVA

Technical Data

LG68C

Model		LG68C
Rated prime power	kva	85
Rated standard power	kva	94
Rated voltage line to line	V	220/127
Rated current	A	223
Maximun sound level	dB(@7m)	96

Engine-DCEC Cummins		
Model		6BT5.9-G1
Aspiration		Turbo
Fuel system		AD type
No. cylinders		6 in line
Displacement	Liquid	5.9
Bore*Stroke	mm	102*120
Compression ratio		17.5
Rated speed	r/min	1800
Rated net power(with fan)	Kw	100
Governor type		Mechanical
Start Motor	V	24

Exhaust System		
Exhaust gas flow	m³/min	16.8
Exhaust gas temp	°C	565
Max back pressure	kPa	10

Aspiration System		
Max inlet pressure	kPa	6.35
Combustion volume	m³/min	6.48
Air flow	m³/min	158

Fuel System		
100% load(Prime power)	L/h	22
75% load(Prime power)	L/h	17
50% load(Prime power)	L/h	11
Fuel tank capacity	L	235

Lubrication System		
Oil capacity	L	16.4
Oil consumption	g/kwh	≤4
Oil pressure	kPa	345
(continuous operation)		

Cooling System		
Coolant capacity	L	27
Thermostat operation range	°C	82-95
Max water temperature	°C	104

Alternator		
Model		LK224F
	STAMFORD	UCI224F
Phase		3
Voltage	V	220/127
Wiring Type		3 Phase 4 wire, Y type
Bearing		1
Power factor		0.8
Frequency	Hz	60
Prime power	KVA	88/95
Exciter Type		Brushless, self-excitation
Voltage regulation	%	±0.5
Protection Grade		IP 23
Insulation grade		H/H
Altitude	m	≤1000

Controller-DEEPSEA	
Model	DSE6120
Protective functions:	<ul style="list-style-type: none"> ■ Low oil pressure ■ High water temperature ■ High/low voltage ■ High Engine Temperature and Overspeed. ■ Voltage regulator frequency regulator ■ Emergency stop ■ Start failure



Control Module Options



- Auto generator control module
- Control module with " Three Remote Control " functions
- ATS auto load transfer screen
- Synchronising control modules
- Power output cabinet

Standard Features

- Engine(DCEC Cummins)
- Radiator 50°C max,fans are driven by bel
- 24V charge alternator
- Alternator: single bearing alternator IP23, insulation class H/H
- Standard auto control system
- One set of air filter, fuel filter, oil filter
- Main line circuit breaker/MCCB
- Base fuel tank
- Two 24V batteries, rac and cable
- Exhaust system(Ripple flex exhaust pipe, exhaust siphon, flange, muffler)
- User manual

Options

- Battery charge
 - Engine heater
 - Alternator heater
 - PMG
 - Water oil separator
 - Daily fuel tank
 - Remote control panel
 - Automatic transfer switch/ATS
 - Switch box
- Standard: ● Options:○

Warranty*

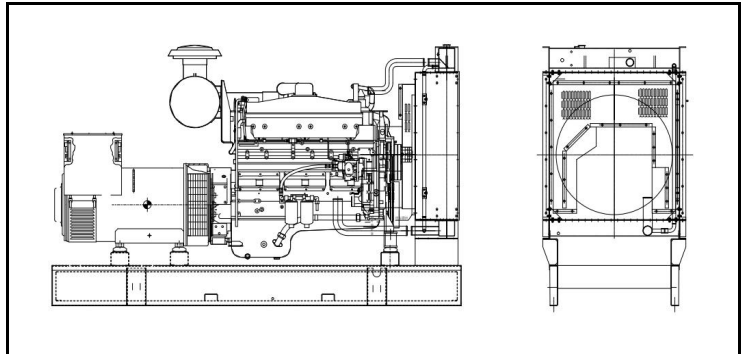
Cummins Engine

12 months from date of purchase and 1000 hours.

Generator

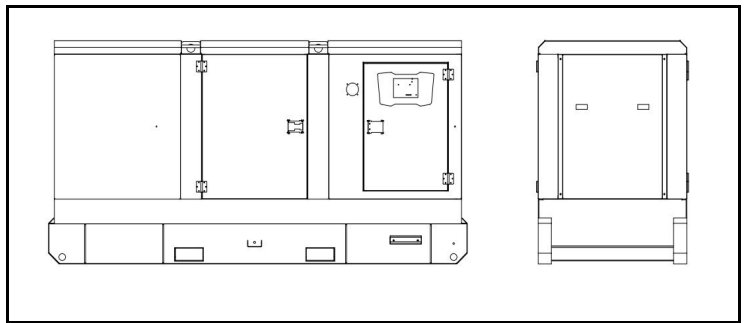
12 months from date of purchase or 1000 hours (whichever occurs first).

Unit Dimensions(Basic unit)



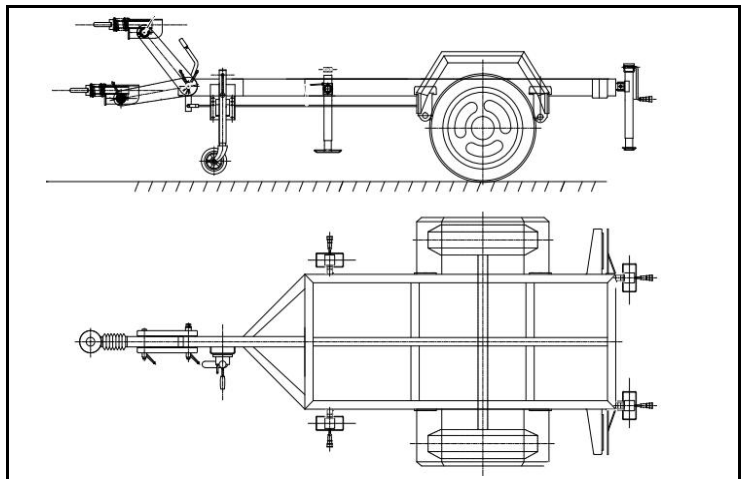
Open Type

L*W*H	mm	2200*900*1350
Weight	kg	1150



Silent Type

L*W*H	mm	2930*1080*1650
Weight	kg	1700



Trailer Option

L*W*H	mm	4200*1900*950
Max loading weight	kg	1650