

POWER YOUR FUTURE

Cummins Generator

LG360C

KTA19-G3

Prime Power: 360KW/450KVA

Standby Power: 400KW/500KVA



GENERATING POWER SOLUTIONS

Increased availability for new operations

Reliable, robust and versatile generator.
Ready to deliver power for a next job.

Increased uptime during operations

Once installed on the end-user-site, the generator will be ready to run: "peace of mind" operation.

Reduced transport and installation costs

The compact and robust design with integrated transport features enables faster and safer transport and installation.

Reduced service & maintenance costs

Longer service intervals.
Quicker and more efficient service jobs.

Premium resale value

Designed and built to last.

SAFETY

- Operate safely in accordance with proper operation manual.
- To prevent trouble and accidents, perform daily and preventive maintenance checks without fail.

Cummins Series 60HZ

25KVA--1400KVA

Technical Data

LG360C

Model		LG360C
Rated prime power	kva	450
Rated standard power	kva	500
Rated voltage line to line	V	220/127
Rated current	A	1181
Maximun sound level	dB(@7m)	≤100

Engine-DCEC Cummins

Model		KTA19-G3
Aspiration	Turbo, Water/Air cooling	
Fuel system	PT type	
No. cylinders	6 in line	
Displacement	Liquid	18.9
Bore*Stroke	mm	159*159
Compression ratio		13.9
Rated speed	r/min	1800
Rated net power(with fan)	Kw	463
Governor type	EFC Electrical	
Start Motor	V	24

Exhaust System

Exhaust gas flow	L/s	1489
Exhaust gas temp	°C	532
Max back pressure	kPa	10

Aspiration System

Max inlet pressure	kPa	6.23
Combustion volume	L/s	533
Air flow	L/s	9800

Fuel System

100% load(Prime power)	L/h	97
75% load(Prime power)	L/h	73
50% load(Prime power)	L/h	51
Fuel tank capacity	L	600

Lubrication System

Oil capacity	L	50
Oil consumption	g/kwh	≤4
Oil pressure	kPa	345-483
(continuous operation)		

Cooling System

Coolant capacity	L	106
Thermostat operation range	°C	82-94
Max water temperature	°C	104

Alternator

Model		LK444FS
	STAMFORD	HCI444F
Phase		3
Voltage	V	220/127
Wiring Type		3 Phase 4 wire, Y type
Bearing		1
Power factor		0.8
Frequency	Hz	60
Prime power	KVA	456/500
Exciter Type		Brushless, self-excitation
Voltage regulation	%	±0.5
Protection Grade		IP 23
Insulation grade		H/H
Altitude	m	≤1000

Controller-DEEPSEA

Model		DSE6120
-------	--	---------

Protective functions:

- Low oil pressure
- High water temperature
- High/low voltage
- High Engine Temperature and Overspeed.
- Voltage regulator frequency regulator
- Emergency stop
- Start failure



Control Module Options



- Auto generator control module
- Control module with "Three Remote Control" functions
- ATS auto load transfer screen
- Synchronising control modules
- Power output cabinet

Standard Features

- Engine(CCEC Cummins)
- Radiator 50°C max,fans are driven by bel
- 24V charge alternator
- Alternator: single bearing alternator IP23, insulation class H/H
- Standard auto control system
- One set of air filter, fuel filter, oil filter
- Main line circuit breaker/MCCB
- Base fuel tank
- Two 24V batteries, rac and cable
- Exhaust system(Ripple flex exhaust pipe, exhaust siphon, flange, muffler)
- User manual

Options

- Battery charge
- Engine heater
- Alternator heater
- PMG
- Water oil separator
- Daily fuel tank
- Remote control panel
- Automatic transfer switch/ATS
- Switch box
- Standard: ● Options:○

Warranty*

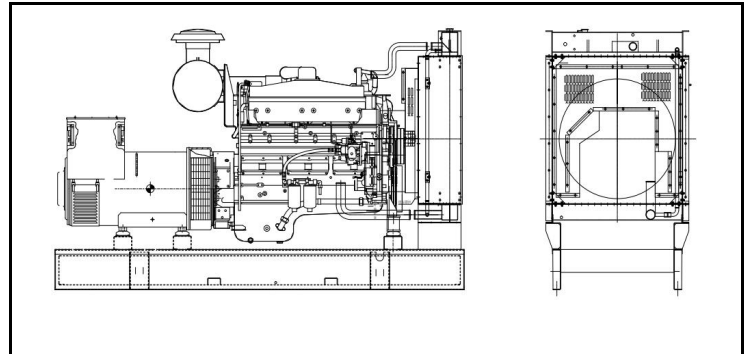
Cummins Engine

12 months from date of purchase and 1000 hours.

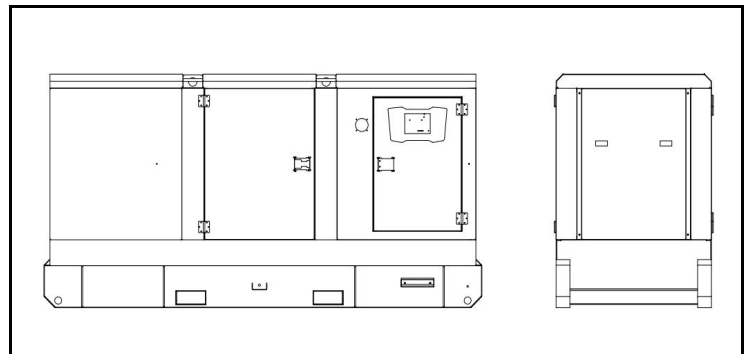
Generator

12 months from date of purchase or 1000 hours (whichever occurs first).

Unit Dimensions(Basic unit)



Open Type		
L*W*H	mm	3500*1400*1900
Weight	kg	3900



Silent Type		
L*W*H	mm	4580*1650*2450
Weight	kg	4900